

**For Residential and Commercial Applications**

Job Name		Engineer / Architect	
Job Location		Wholesaler	
Submittal Date		Contractor	

## NV105 Straight Needle Valve – Compression x Compression

**Use:** Use with automotive & industrial applications for instrumentation, hydraulic and pneumatic systems. Not intended for use with natural gas, LPG (liquefied petroleum gas or propane), nuclear or avionic (aircraft) applications

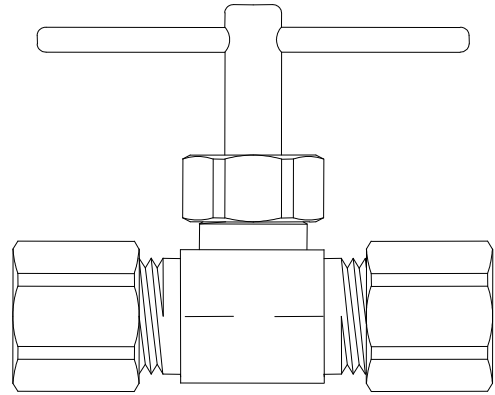
**Operating Specifications:**

**Temperature:** -65° to 250° F  
**Water Applications** 40° to 140° F  
 115° F maximum continuous use temperature

**Working Pressure:** Up to 150 PSI

**Design Features:**

- **Positive sealing & flow adjustment** up to the capacity of the valve
- **Metal-to-metal seats** with a fine thread engagement
- **Compliant needle valve options** available for California and Vermont “low-lead” requirements



**Standard**

<b>MATERIAL SPECIFICATIONS</b>	
<b>Valve Body</b>	C36000 brass
<b>Stem</b>	C36000 brass
<b>Handle</b>	Steel
<b>Packing Nut</b>	C36000 brass
<b>Packing Washer</b>	EPDM
<b>Compression Nuts</b>	C36000 brass
<b>Compression Sleeves</b>	C36000 brass

**Compliant**

<b>MATERIAL SPECIFICATIONS</b>	
<b>Valve Body</b>	Compliant brass
<b>Stem</b>	Compliant brass
<b>Handle</b>	Steel
<b>Packing Nut</b>	C36000 brass
<b>Packing Washer</b>	EPDM
<b>Compression Nuts</b>	C36000 brass
<b>Compression Sleeves</b>	C36000 brass

**Standard Part Listing:**

- NV105-3            3/16" OD Tube, both ends
- NV105-3 B        3/16" OD Tube, both ends, bulk
- NV105-6 B        3/8" OD Tube, both ends, bulk
- NV105-4            1/4" OD Tube, both ends
- NV105-4 B        1/4" OD Tube, both ends, bulk
- NV105-6            3/8" OD Tube, both ends

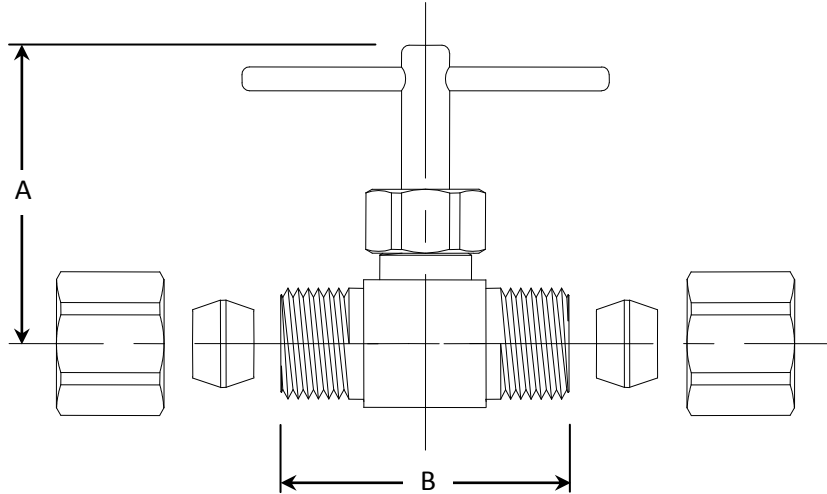
*This specification and all information contained herein is the confidential and exclusive property of BrassCraft Manufacturing, and shall not be disclosed to others without the written consent of BrassCraft. This specification must be returned to BrassCraft if requested.*



# NV105 Straight Needle Valve – Compression x Compression

**Compliant Part Listing:**

- NV105-4X                    1/4" OD Tube, both ends
- NV105-6X                    3/8" OD Tube, both ends



<b>PART DIMENSIONS (Inches)</b>		
<b>Model</b>	<b>DIM. A (Closed)</b>	<b>DIM. B</b>
NV105-3	.88	1.06
NV105-4	1.18	1.18
NV105-6	1.31	1.37

**Listings & Certifications:**

- Compliant product CSA approved to California Health & Safety Code 116875 and Vermont Bill S.152 (Project # 2174785)

